

L-3000

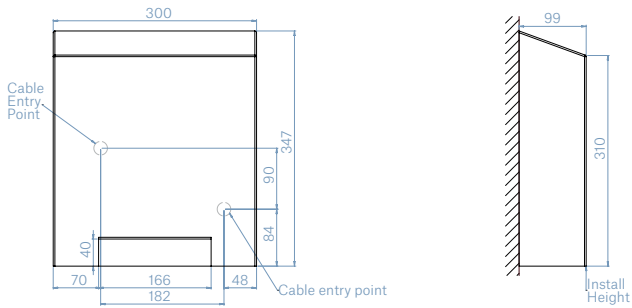


The Lovair L3000CS is a slim-line high speed hand dryer with the advantage of a 17 second drying time and low running costs.

Index

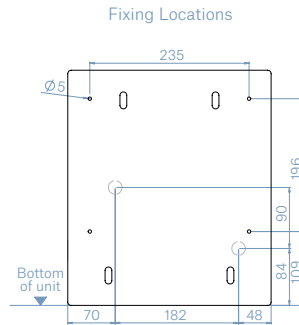
03	Technical Data
04	Pack Contents
04	Pre-Installation Information
04	General Safety Information
05	Installation Instructions
06	Commissioning
07	Operation
07	Maintenance
08	Recommended Maintenance Schedule
08	Cleaning
09	Warranty

Technical Data



Recommended install height (UK)

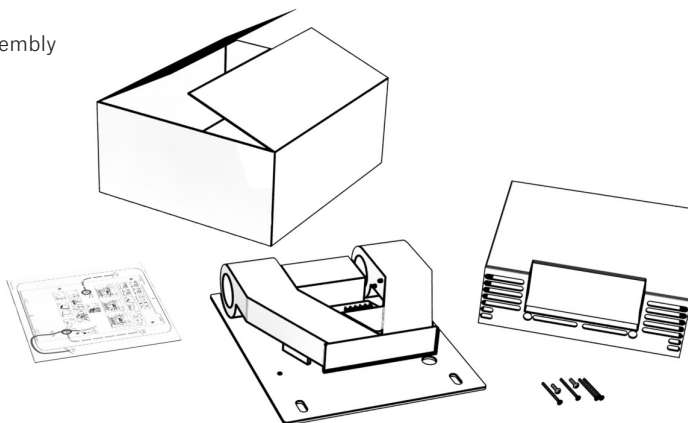
Mens Washroom	-1220mm
Ladies Washroom	-1120mm
School Washroom	-910mm
Disabled Washroom	-910mm



Finishes	CS (Brushed satin stainless steel)
Power Consumption	7.5 A
Drying time	17 seconds
Weight	4.9kg (12.8lbs)
Stainless steel	AISI 304
Noise levels	71Db at 1 metre (39")
Air speed	28 m/s (91.8ft/s)
Air volume	130 m ³ /h
Air outlet temperature	54 deg C @ 20 deg C ambient
Nominal output	1700W
Sensor range	100mm vertically under outlet
Approvals	CE, RoHS, TUGGS
Insulation	Class 1
IP rating	IP21
Warranty	1 year parts and labour;

Pack Contents

Hand dryer assembly
Allen key



Pre - Installation Information

Location	The dryer should typically be installed between the wash-basin and the washroom exit.
Power supply	A fused 13A power supply is required for connection to the dryer

General Safety

- This product is not intended for use in a domestic or residential application.
- The dryer must be installed in accordance with the electrical installation regulations in force at the time of installation.
- The hand dryer must be earthed.

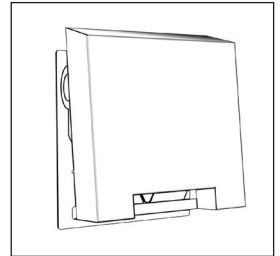
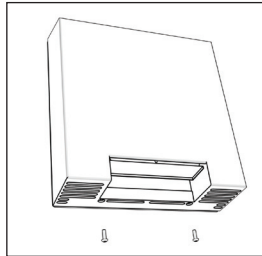
Installation Instructions

Recommended fixing heights (from finished floor level)

Male washrooms	1220mm
Female washroom	1120mm
Primary School	910mm
Wheelchair accessible	910mm

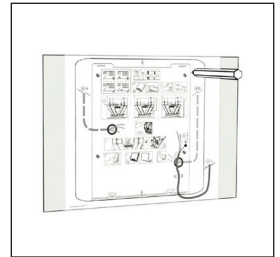
Step 1

1. Undo screws from base of dryer, and pull cover forward at bottom and lift the cover off the top mounting hooks.



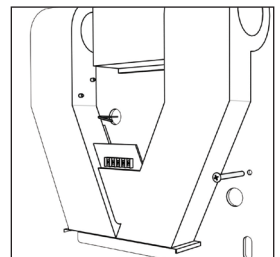
Step 2

2. Mark fixing holes on wall through template supplied.



Step 3

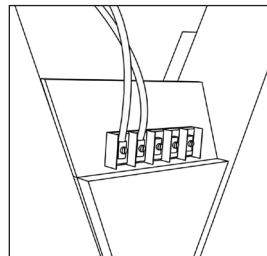
3. Fix dryer base-plate to wall with appropriate fixings, and feed cable through the cable entry hole.



Installation Instructions

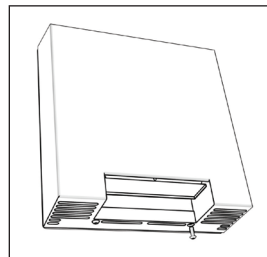
Step 4

4. Connect the cable to the terminal block in accordance with the relevant markings (Live – Brown; Neutral – Blue; Earth – Green/Yellow), ensuring that the cable does not interfere with the function of the motor.



Step 5

5. Re-fit the dryer cover, by fitting the top edge on first, then securing using the two screws that were previously removed. Take care not to overtighten the screws.



Commissioning

Turn on the power supply to the dryer, and then test that the dryer will operate when the user's hands are placed within the detection range.

Operation

- 1) The user is to shake excess water off their hands.
- 2) The user then places their hands within the detection range of the sensor on the underside the dryer to activate the hand dryer.
- 3) The motor will start and air is blown onto the user's hands.
- 4) The motor will stop when the user's hands are removed from the detection range.

Maintenance

The hand dryer should be serviced on a regular basis to ensue long service life of the unit.

- 1) Isolate the unit from the power supply before any servicing or maintenance work is carried out.
- 2) Remove the cover by unscrewing the fixing screws on the underside of the cover.
- 3) Remove any dust or foreign body from the air intake and (both inside and outside the dryer).
Where necessary, use a brush or vacuum cleaner.

Recommended Maintenance Schedule

Daily

- Wipe surface of dryer with soft cloth

Weekly

- Clear dust from air-intake grille

Monthly

- Remove hand-dryer cover and clean dust / dirt from within unit 3 monthly
- Remove carbon brushes and check for wear; replace if necessary
- Clean dust / fluff from within motor housing (vacuum)

Cleaning

All grades of stainless steel will stain or discolour if due care and attention is not taken. The surface must be regularly cleaned to ensure a long service life of the dispenser.

Use a soft cloth or sponge with a mild solution of soapy water as part of the regular washroom janitorial routine. Do not use abrasive or cream cleaners as these will damage the surface finish. If the dispenser is subjected to a highly chlorinated environment eg swimming pools or marine coastal locations, a further treatment, in addition to the regular cleaning as described above, is recommended by the application of a household cleaning product containing silicone.

If further information is required, contact Lovair technical team for more detailed stainless-steel care guidelines.

Warranty

As thought-leaders and pioneers in washroom style and technology, we continuously strive for the ultimate washroom experience. Our curiosity drives us to refine and innovate, to realise the potential of, and constantly challenge, what washrooms can be.

We are passionate about what we do and proud of what we have achieved and through collaboration with architects and building owners, and by being attentive to users' needs, we transform washroom experiences.

Demonstrating our commitment to quality and our belief in the strength of our designs, we can offer the following warranty.

Lovair Ltd will warrant that its products will be free of manufacturing and material defects during normal use and environmental conditions as detailed below:

1 years' parts & labour

If a defect is found in normal use, Lovair Ltd. will, at their discretion, repair, provide a replacement part or product, or make appropriate adjustments. Damage caused by accident, misuse, or abuse is not covered by this warranty. Improper care and cleaning will void the warranty.

Non-operation of the product due to environmental conditions beyond our control, installation error, incorrect maintenance, water quality, fair wear and tear, incorrect or inappropriate installation, misuse and abuse is not covered by the warranty.

Proof of purchase (original sales receipt) must be provided to Lovair Ltd. with all warranty claims.

The above warranty is valid for goods supplied within the United Kingdom.

For goods supplied outside of the United Kingdom, Lovair Ltd will honour the above stated warranty periods for the parts only.

LOVAIR LTD DISCLAIM ANY LIABILITY FOR SPECIAL, INCIDENTAL OR CONSEQUENTIAL DAMAGES.

Lovair

L-3000 Installation Rev 1-14/09/17



ehanddryers.com
PART OF THE O3 GROUP

+44 (0)203 957 5573